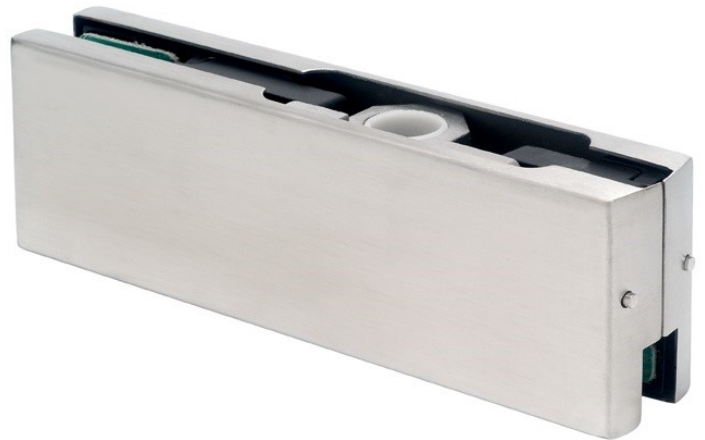


## FPF20 Top Patch Fitting

### Finish Options

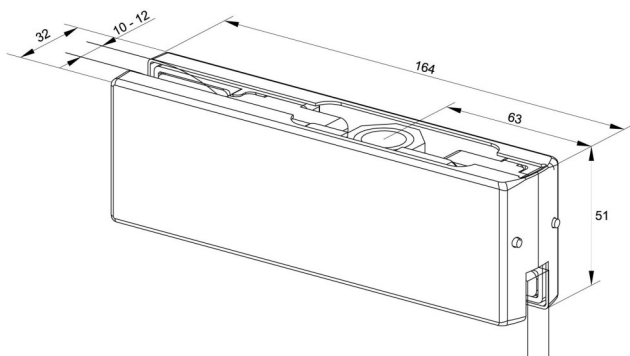


\* Other finish options available to special order, please enquire for details.



- Top Insert to suit 15mm pivot
- Suits 10 & 12mm Glass
- Covers manufactured from Grade 304 Stainless Steel

### Dimensions



### Glass Preparation

