

FPF40 Overpanel / Sidepanel Patch Fitting

Finish Options

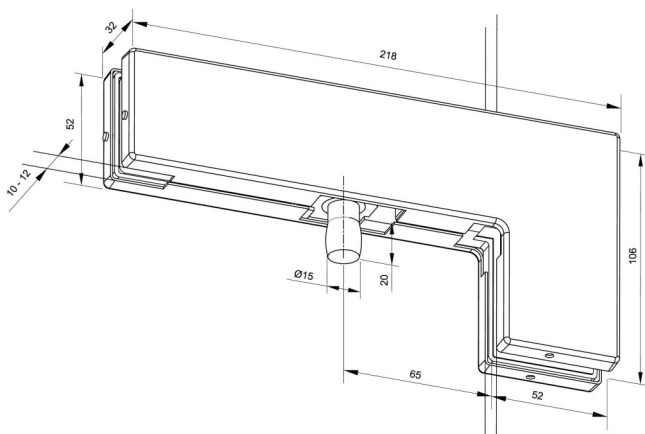


* Other finish options available to special order, please enquire for details.



- 15mm Pivot Insert to suit FPF20 Patch
- Suits 10 & 12mm Glass
- Covers manufactured from Grade304 Stainless Steel

Dimensions



Glass Preparation

