

FPF10 Bottom Patch Fitting

Finish Options

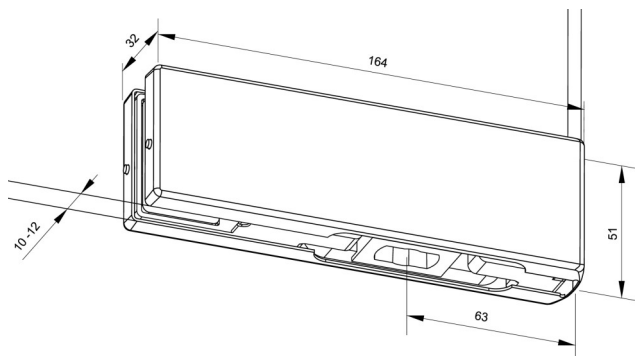


* Other finish options available to special order, please enquire for details.



- Bottom Insert to suit German spindle
- Maximum adjustable door weight 120kgs
- Suits 10 & 12mm Glass
- Covers manufactured from Grade 304 Stainless Steel

Dimensions



Glass Preparation

